



Bi-LED Headlight 90mm ECE R113

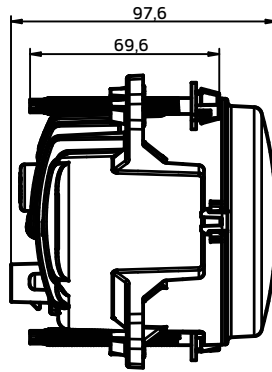
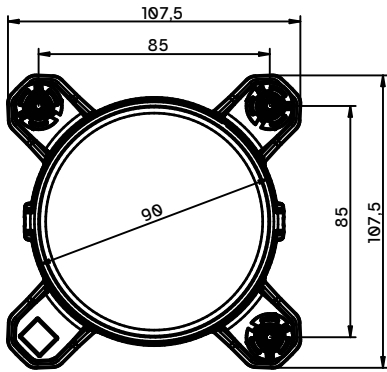


OEI. All bright

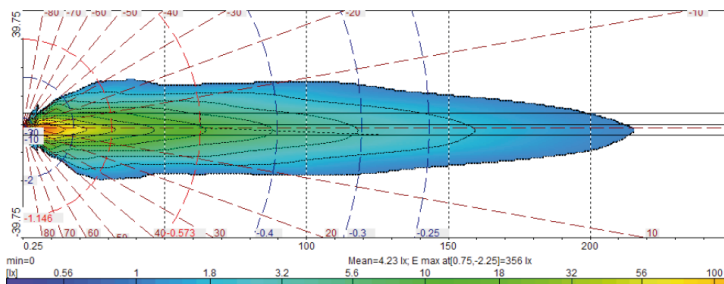
Bi-LED Headlight

Dedicated to: agricultural, municipal and small electric vehicles

Catalog number:	OEI182003396
Functions:	low beam and high beam
Model:	Mercury
Source of light:	LED in RFT Technology
Dimensions:	Ø90x98 mm
Voltage:	12/24 V
Power:	15 W / 23 W
Connection:	Supereal 3 pin
IP rating:	IP69K
Approvals:	ECE R10, R113



High beam diagram



Low beam diagram

